

Network Video Recorder

NVR304-S Series



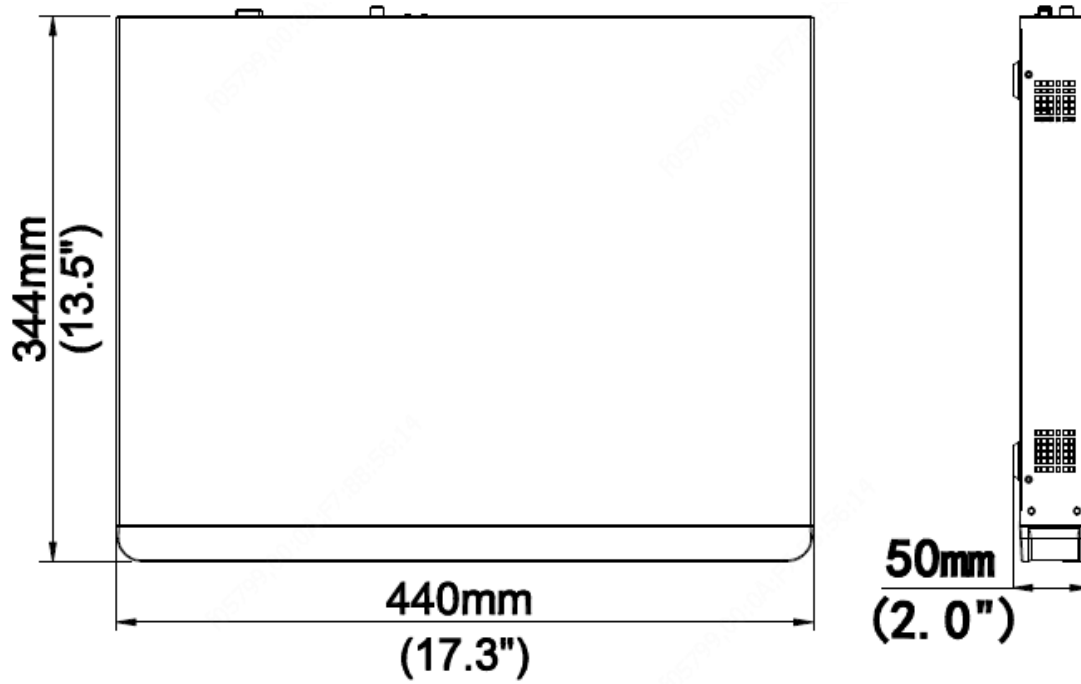
Key Features

- Support Ultra265/H.265/H.264 video formats
- 16/32-channel input
- Third-party IP cameras supported with ONVIF conformance: Profile S, Profile G, Profile T
- HDMI and VGA simultaneous output
- Up to 8 Megapixels resolution recording
- Accurate retrieval, instant playback
- 4 SATA HDDs, up to 10TB for each HDD
- ANR technology to enhance the storage reliability when the network is disconnected
- Support cloud upgrade

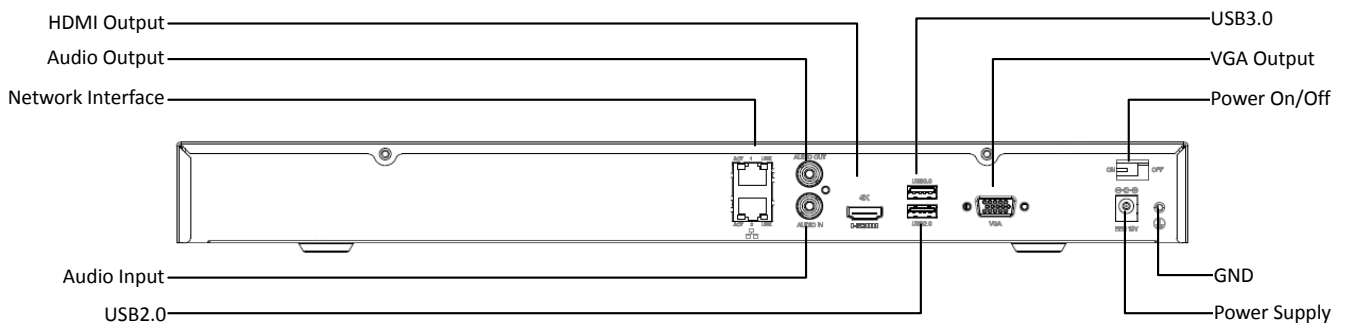
Specifications

| Model | NVR304-16S | NVR304-32S |
|---------------------------|---|--|
| Video/Audio Input | | |
| IP Video Input | 16-ch | 32-ch |
| Two-way Audio Input | 1-ch, RCA | |
| Network | | |
| Incoming bandwidth | 160Mbps | |
| Outgoing bandwidth | 64Mbps | 64Mbps |
| Remote Users | 128 | |
| Protocols | P2P, UPnP, NTP, DHCP, PPPoE | |
| Video/Audio Output | | |
| HDMI/VGA Output | HDMI: 4K (3840x2160) @30, 1920x1080p@60, 1920x1080p@50, 1600x1200@60, 1280x1024@60, 1280x720@60, 1024x768@60 VGA: 1920x1080p@60, 1920x1080p@50, 1280x1024@60, 1280x720@60, 1024x768@60 | |
| Audio Output | 1-ch, RCA | |
| Recording Resolution | 8MP/5MP/4MP/3MP/1080p/960p/720p/960H/D1/2CIF/CIF | |
| Synchronous Playback | 16ch | 32-ch |
| Corridor Mode Screen | 3/4/5/7/9/10/12/16 | 3/4/5/7/9/10/12/16/32 |
| Decoding | | |
| Decoding format | Ultra265/H.265/H.264 | |
| Live view/ Playback | 8MP/5MP/4MP/3MP/1080p/960p/960H/720p/D1/2CIF/CIF | |
| Capability | 2 x 4K@30, 3 x 5MP@30, 4 x 4MP@30, 5 x 3MP@30, 8 x 1080p@30, 16 x 720p@30 | 2 x 4K@30, 3 x 5MP@30, 4 x 4MP@30, 5 x 3MP@30, 8 x 1080p@30, 16 x 720p@30, 32 x D1 |
| Hard Disk | | |
| SATA | 4 SATA interfaces | |
| Capacity | up to 10TB for each disk | |
| External Interface | | |
| Network Interface | 2 RJ-45 10M/100M/1000M self-adaptive Ethernet Interfaces | |
| USB Interface | Rear panel: 1 x USB2.0, 1 x USB3.0 Front panel: 1 x USB2.0 | |
| General | | |
| Power Supply | 12V DC Power Consumption: ≤ 15W(without HDD) | |
| Working Environment | -10°C ~ + 55°C (+14°F ~ +131°F), Humidity ≤ 90% RH(non-condensing) | |
| Dimensions (W×D×H) | 440mm × 344mm ×50mm (17.3" × 13.5" ×2.0") | |
| Weight (without HDD) | ≤ 3.15 Kg (6.94 lb) | |

Dimensions



Rear Panel



Zhejiang Uniview Technologies Co., Ltd.

Building No.10, Wanlun Science Park, Jiangling Road 88, Binjiang District, Hangzhou, Zhejiang, China

Email: overseasbusiness@uniview.com; globalsupport@uniview.com

<http://www.uniview.com>

©2019 Zhejiang Uniview Technologies Co.,Ltd. All rights reserved.

* Product specifications and availability are subject to change without notice.